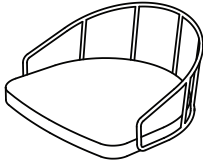
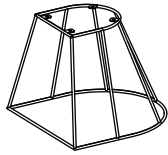


Part # B18-CANARY XX+XX

190612

PARTS

A



B

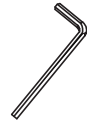
x4
(M6x16mm)

C

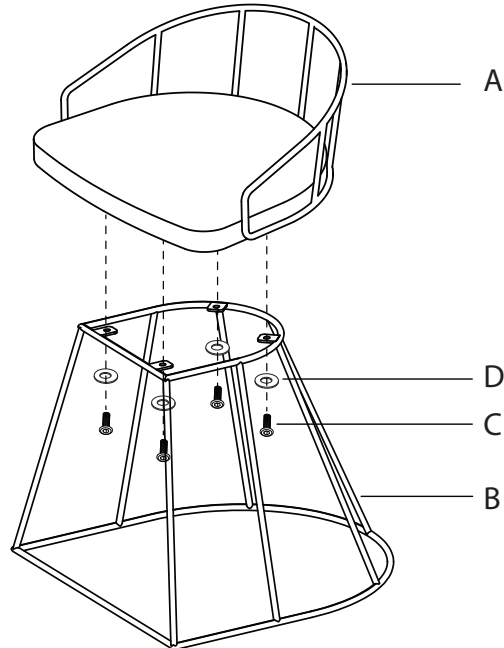
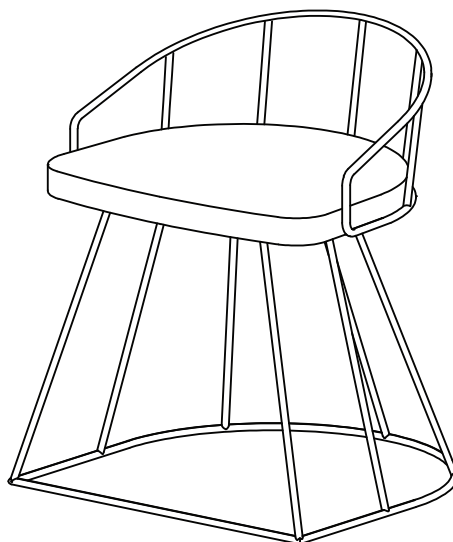


x4

D



E

1**2**

Do not over tighten.
Do not use power tools to assemble.